



Metal that works

Industrial shelving solutions since 1954

2020 Installation Guide – Interlok
Strength • Support • Integrity

**A minimum of two persons is recommended to carry out the assembly*



METALWARE

NOTICE

Use caution when handling and assembling metal parts. The metal may have sharp edges or corners. The use of protective gloves is recommended. Do not use this unit for anything that is outside the designed function of storage. Do not store loose or heavy items on the top shelves or on the top of the unit, for they create a falling hazard that can injure yourself or others. Always remember to use proper lifting techniques when moving either the boxed or assembled unit. Shelving should be periodically inspected for loose bolts, for damaged “T” uprights or shelves, for proper seating of shelf and clip. Check loading to assure it is not being overloaded. If any damage is detected, units should be unloaded immediately and repaired or replaced before returning to service.


Table of Contents


Recommended Tools for Assembly.....	4
How to assemble a standard Interlok shelving unit	5
Sub-assembly Component Reference Guide	7
a. Footplates.....	7
b. Splice bracket	7
c. Cross aisle bracket	8
d. Down aisle bracket.....	8
e. Shelves	9
i. 1in Clip.....	9
ii. 2in Clip.....	9
f. Back panels.....	10
g. Floor channel	11
h. Cross channel	11
i. Guardrail	12
j. Back-to-back tie clip	12
k. Side brace.....	13
l. Back brace.....	13
m. Divider	14
n. Sliding divider	14
o. Half divider	15
Annex A	16
Annex B	17
Annex C	18

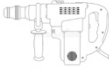
Tools for Assembly


Below is a list of recommended tools to assemble a standard Interlok Shelving Unit


- 1 Pliers to position the brackets on the end of the back braces



- 2 $\frac{7}{16}$ " key and socket wrench to secure the metal shelves together



- 3 Hammer drill with $\frac{3}{8}$ " cement drill bit for anchoring the shelving unit to the floor



- 4 Rubber mallet


- 5 A level, 36" wide minimum


- 6 Work gloves


- 7 Safety glasses


- 8 Mask for protection



Interlok Installation Guide

STEP 1

**If you are not using footplates, please go directly to STEP 2.*

Bolt the footplate at the bottom of each upright, and add a short shelf clip, also called the "H" clip, (refer to Image C) on the first level. This clip is intended to support the lower shelf when using a footplate.

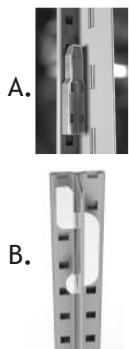
⚠ Only one short shelf clip is needed per each post, even if side by side units are used. ⚠



STEP 2

While holding the 4 uprights, insert 4 shelf clips and install the bottom shelf. Either 1" clips (refer to Image A) or 2" clips (refer to Image B) are provided. If you are also installing footplates directly insert the bottom shelf on the short shelf clips. Then, insert the required shelf clips in the top holes and install the top shelf.

⚠ Make sure the shelf clips are positioned as shown on the right ⚠



STEP 3

Determine the shelves elevations and then place the shelf clips onto the posts at the desired height. Install sides brace with the supply bolts without tightening them to permit final adjustments.

⚠ Do not use braces and end panels as they both serve the same purpose ⚠



STEP 4

Using a screwdriver, angle the tips of the back brace in the proper position. Then, bolt the back braces on the post. If you are using back panels, bolt them as shown.

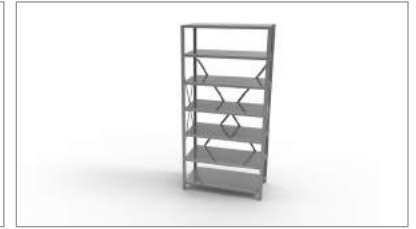


STEP 5

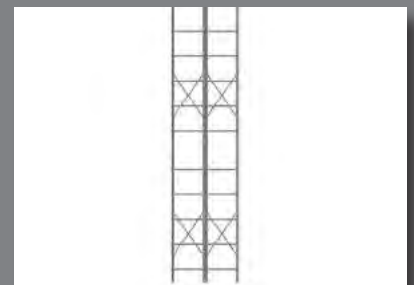
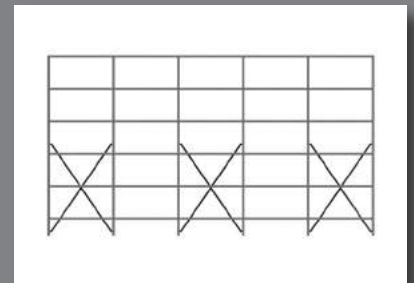
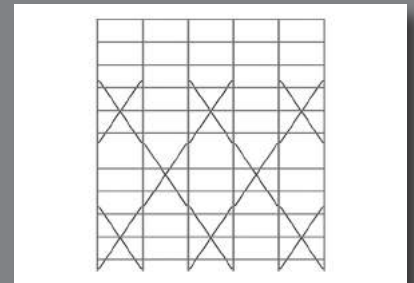
Install the shelves at the desired height.

⚠ Ensure the section is square and tighten the nuts and braces ⚠

Use two hooks per hole to place units side by side.



Below are example of ways to position the braces:



CORNER GUSSETS

Use gussets to ensure rigidity of the section when you are not using back braces and back pannels. Second gusset hole must be drill on location after levelling the unit, do not use tek screw.

⚠ 4 pairs of gussets every 2nd section ⚠



BASEPLATE

Slide the base plate, use base snap to lock into place.



TIE CLIP

Install tie clips at the top and bottom of every section with side braces.



DIVIDERS

4 dividers clips are needed per dividers.



SLIDING DIVIDERS

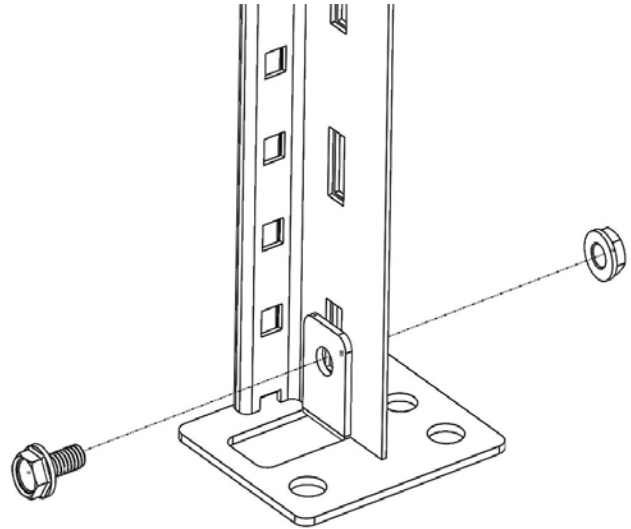
2 dividers clips are needed per dividers.



Sub-Assembly Component Reference Guide

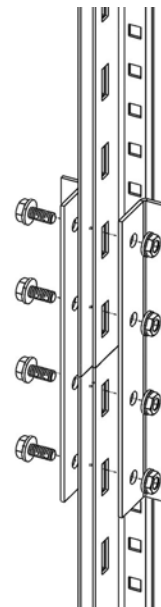
a. Footplates

- (1x) Footplate per post
- Footplates can be 2-1/2" x 3" x 1" galvanized, 2-1/2" x 3" x 3/16" painted or 4" x 5" x 1/4"
- They are bolted to the base of the post using 1/4"-20UNC x 5/8" bolt with 1/4" lock nut
- (1x) 3/8" x 3" anchors are required per footplate
- One "H" shelf clip is needed to support the first shelf clip. Only one shelf clip per post is needed to support the shelf on either side



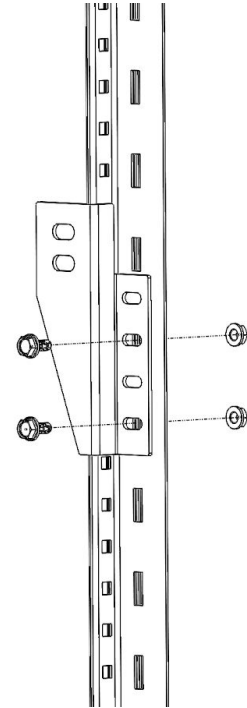
b. Splice bracket

- Splice brackets are used to connect two posts or panels vertically
- They are made up of a pair of L-shaped 1/8" thick x 7-1/2" long galvanized plates
- Splice brackets are bolted using (4x) 1/4"-20UNC x 5/8" bolts and nuts



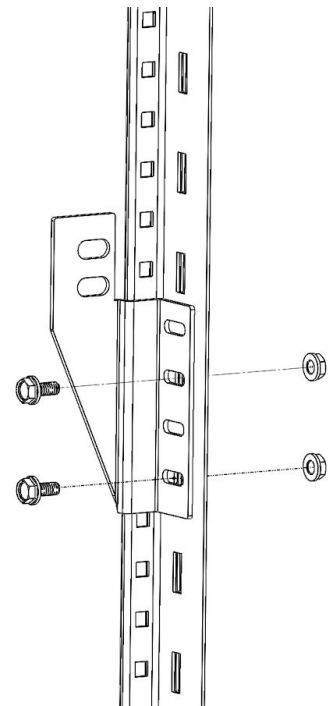
c. Cross aisle bracket

- Cross aisle brackets are used to connect custom floor channels, top ties or lighting support components
- They are made up of a pair of 12ga brackets
- Cross aisle brackets are bolted using (2x) 5/16"-18UNC x 5/8" bolts and nuts on each bracket



d. Down aisle bracket

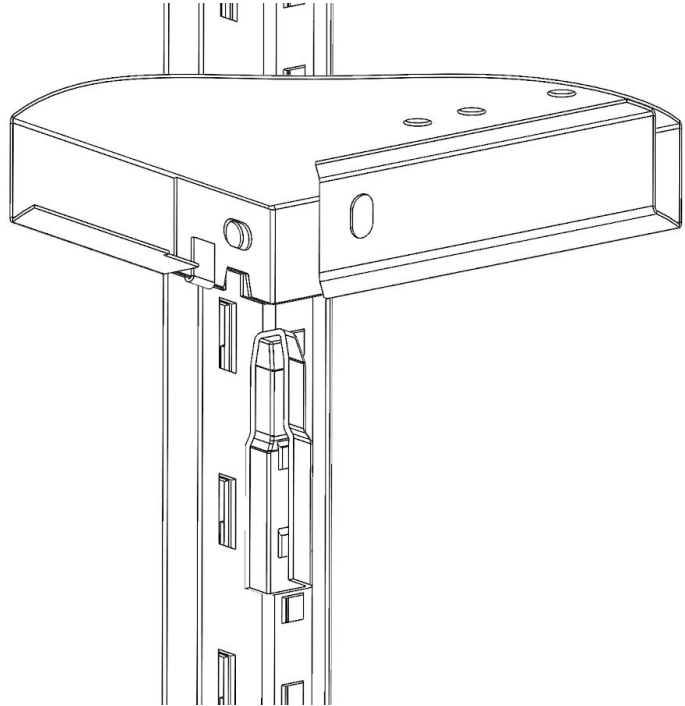
- Down aisle brackets are used to connect custom floor channels, top ties or lighting support components
- They are made up of a pair of 12ga brackets
- Down aisle brackets are bolted using (2x) 5/16"-18UNC X 5/8" bolts and nuts on each bracket



e. Shelves

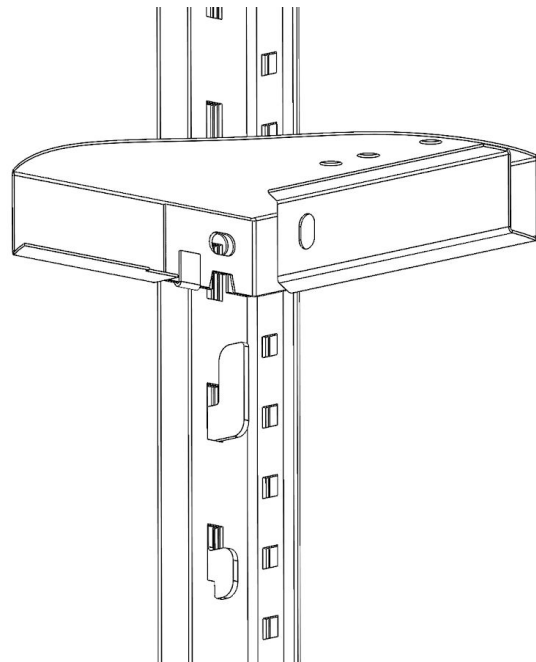
i. 1in Clip

- 1" clips are used to support the shelf with a 1" vertical adjustability
- They are made of 16ga galvanized steel



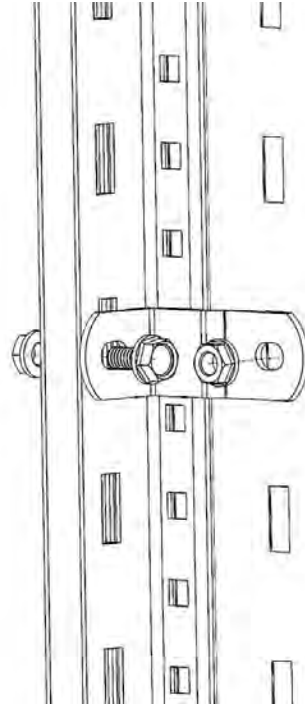
ii. 2in Clip

- 2" clips are used to support the shelf with a 2" vertical adjustability
- They are made of 12ga galvanized steel

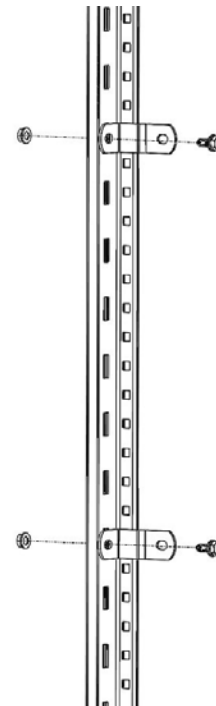


f. Back panels

- Back panels are used to close the back of a unit, and simultaneously acting as a brace
- They are made of 24ga steel
- Back panels are connected to the post using specific clips and (2x) 1/4"-20UNC x 5/8" bolts and nuts per clip

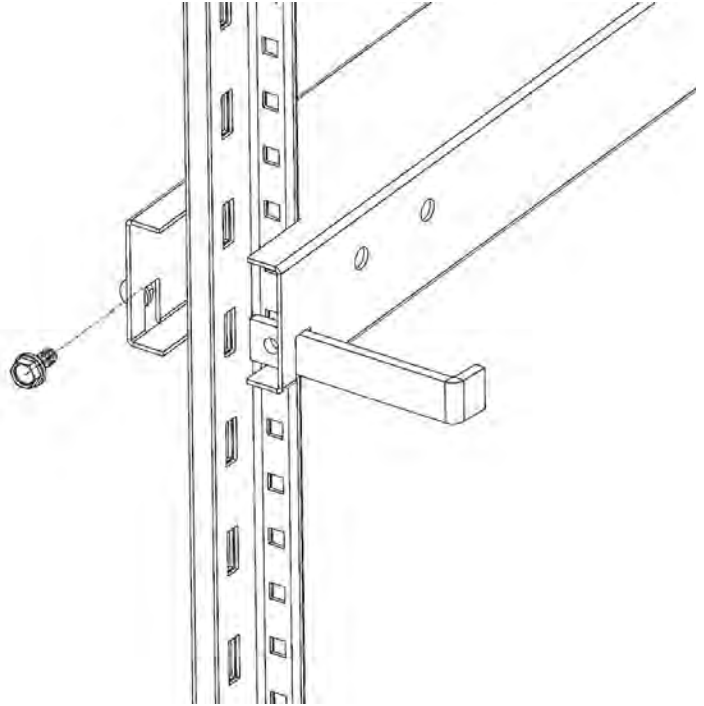


- Back panels clips are used to connect the back panel with the post
- They are made of 12ga steel
- Maximum vertical spacing should be 28"



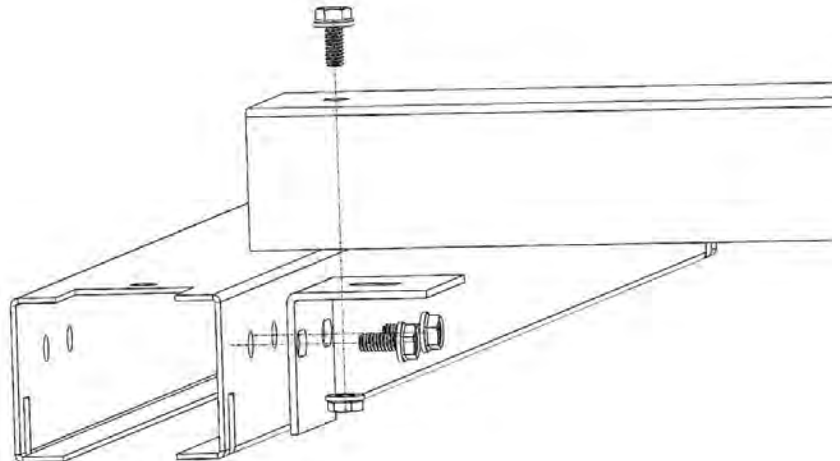
g. Floor channel

- Floor channels are used to support flooring by connecting the post on both ends, with a 2" vertical adjustability
- They are made of 14ga steel
- Floor channels are connected to the post with a pin and 1/4"-20UNC x 5/8" bolt, and lock nuts on both ends



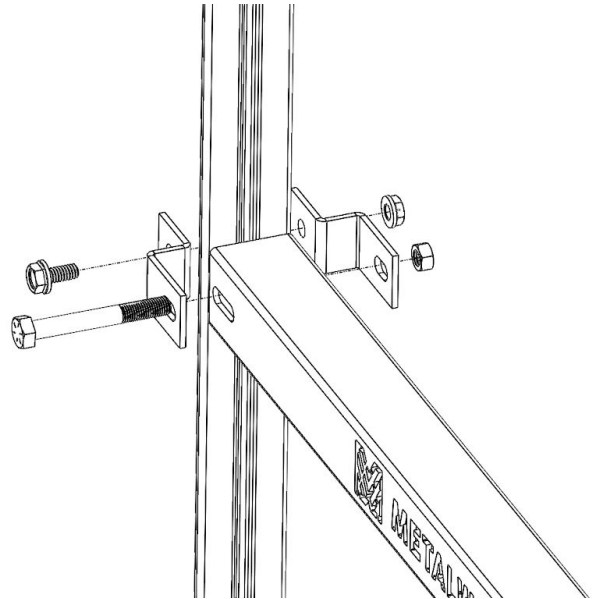
h. Cross channel

- Cross channels are used to support a floor and add rigidity to the floor channel
- They are made of 14ga steel
- Cross channels are bolted to the floor channel with a (2x) 12ga lug, using (6x) 1/4"-20UNC x 5/8" bolts and nuts



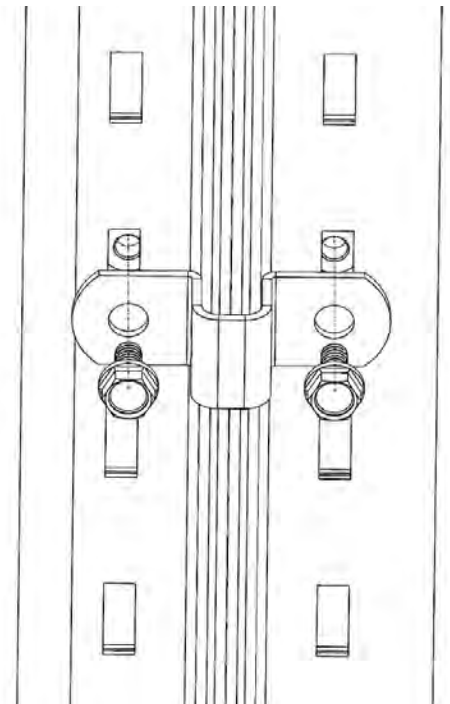
i. Guardrail

- Guardrails are made of 1.5" x 1.5" x 1" HSS
- They are connected to the post using (2x) guardrail clips, (1x) 1/4"-20UNC x 5/8" and (1x) 5/16"-18UNC x 2.5" bolts and nuts



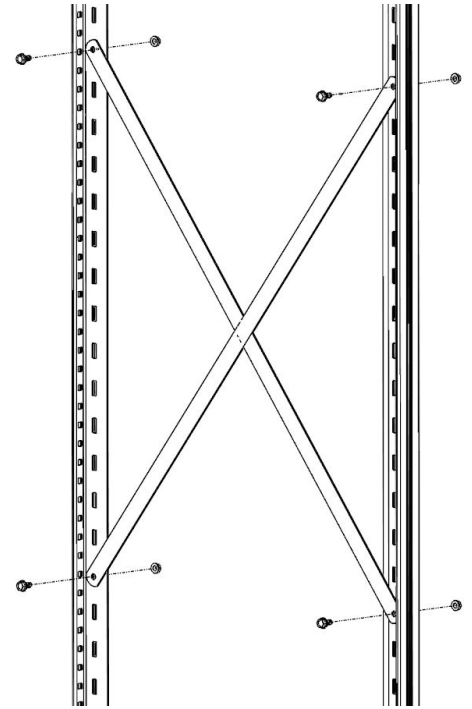
j. Back-to-back tie clip

- Back-to-back brackets connect back-to-back posts
- They cannot be used in row with a closed back panel, except on either end of the row
- They are made of 12ga steel
- Back-to-back brackets are bolted to the post of each unit with (1x) 1/4"-20UNC x 5/8" bolt and nut
- Please refer to annex A for accurate pattern



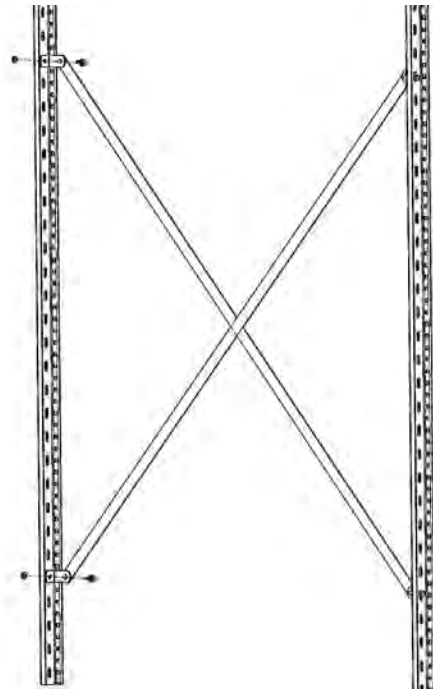
k. Side brace

- Side braces are used to reduce longitudinal deflection
- They are made of 11ga steel
- Side braces come in pairs and are bolted to the post using (4x) 1/4"-20UNC x 5/8" bolts and nuts
- Please refer to annex B for installation pattern unless a specific drawing is provided



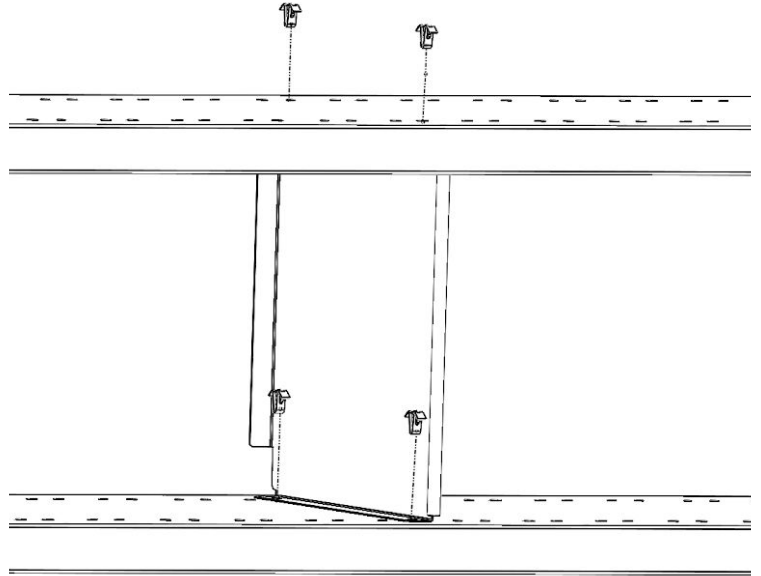
l. Back brace

- Back braces are used to reduce lateral deflection
- They are made of 11ga steel
- Back braces come in pairs and are bolted to the post using (4x) 1/4"-20UNC x 5/8" bolts and nuts
- Please refer to annex C for installation pattern unless a specific drawing is provided



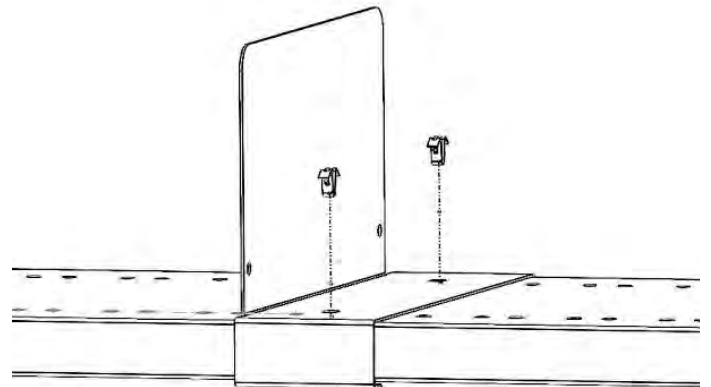
m. Divider

- Dividers are made of 22ga steel
- They are locked in place using (4x) dividers clips, clipped into the shelf
- Dividers on top of each other share the same dividers clips



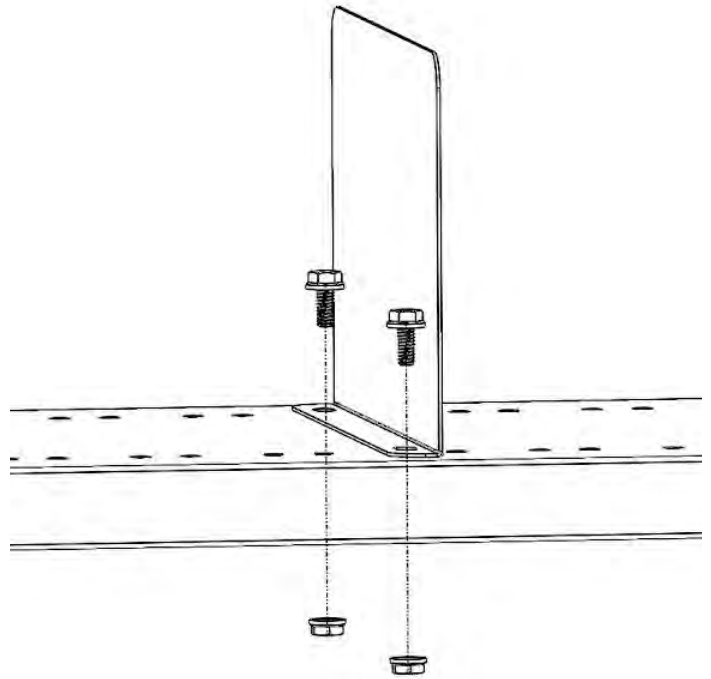
n. Sliding divider

- Sliding dividers are made of 22ga steel
- They are locked in place using (2x) divider clips, clipped into the shelf



o. Half divider

- Half dividers are made of 18ga steel
- They are bolted to the shelf using (2x) 1/4"-20UNC x 5/8"



Annex A

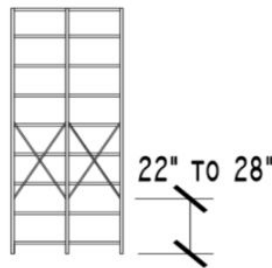
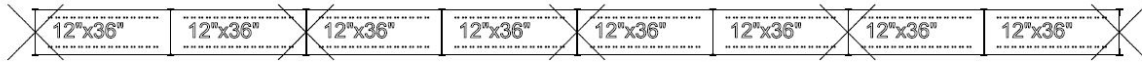
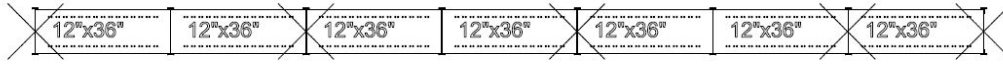
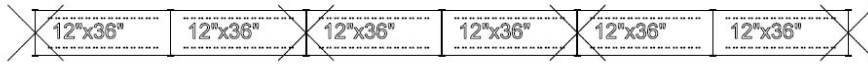
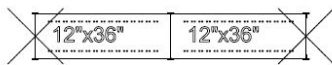
Back to back bracket position in aisle.



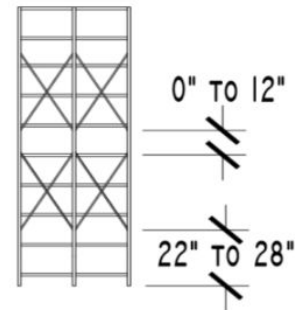
Annex B

Side brace position in the aisle.

2020-07



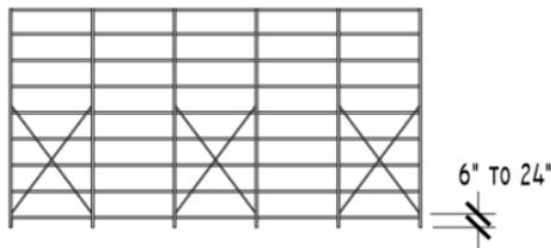
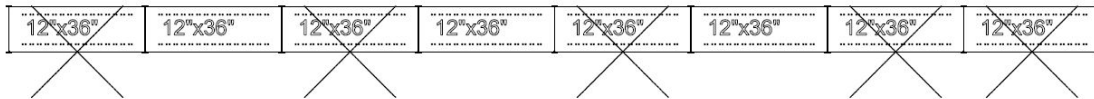
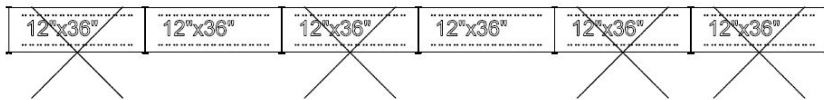
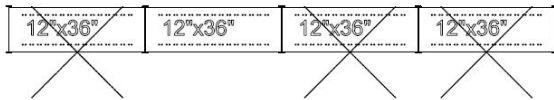
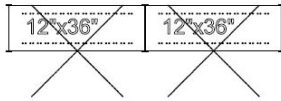
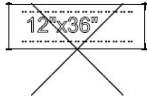
100" HIGH OR LESS



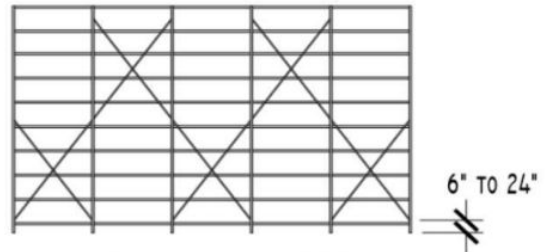
HIGHER THAN 100"

Annex C

Back brace position in aisle.



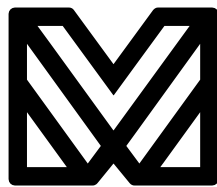
100" HIGH OR LESS



HIGHER THAN 100"



METALWARE



METALWARE

5735 Place Turcot, Montréal, QC H4C 1V9

1-514-937-9533

1-833-937-9533

info@metalware.ca

www.metalware.ca