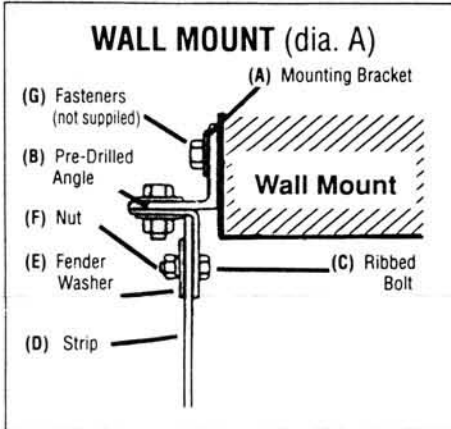


MAINTENANCE
An occasional washing with hot water and a mild detergent is usually all that's needed to prolong the life of this product. Cleaning may be accomplished by using a steam cleaner or by hand using a soft cloth. Heavy stains and ingrained dirt can be removed by careful application of ethanol.

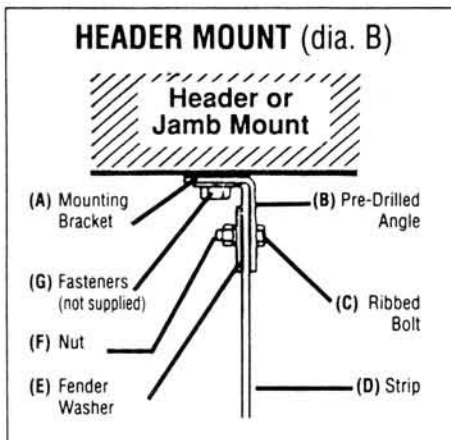
WARRANTY
Manufacturer warrants this product to be free of defects in material and workmanship for a period of ninety (90) days after original user purchase date.

STRIP DOOR INSTALLATION INSTRUCTIONS



WALL MOUNT ONLY (dia. A)

- Step 1. Mount pre-drilled WALL MOUNTING BRACKETS (A) to wall matching proper bolt spacing on PRE-DRILLED ANGLE (B).
- Step 2. Place RIBBED BOLTS (C) in designated holes in ANGLE (B) referring to BOLT PLACEMENT GUIDE. (dia. D)
- Step 3. MOUNT PRE-DRILLED ANGLE (B) to WALL MOUNTING BRACKET (A) starting from left side of door (save short Angle, if any, for last).
- Step 4. Attach STRIPS (D) to BOLTS (C) in ANGLE (B), making sure that the concave sides are facing each other (see dia. C), then secure with FENDER WASHERS (E) and NUTS (F), tightening Nuts carefully allowing Ribbed Bolts to secure in angle.
- Step 5. After Installation, Strips should be initially trimmed to give a minimum of 1/4" clearance using safety razor. Strips need to hang seven days minimum before Final Trim to allow for proper alignment.

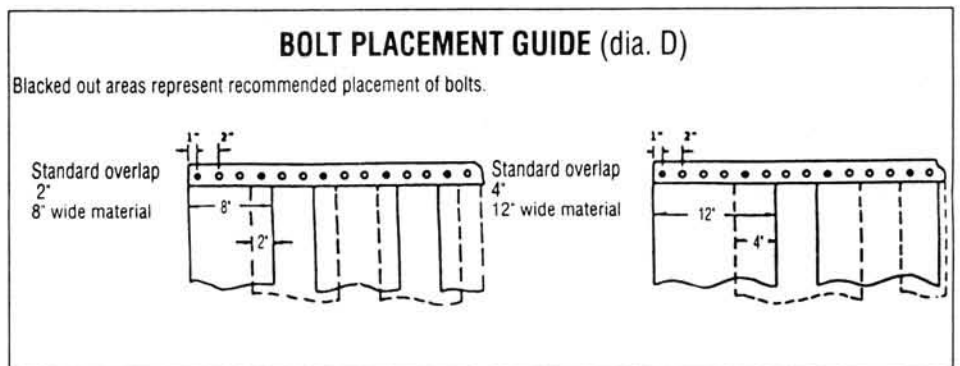
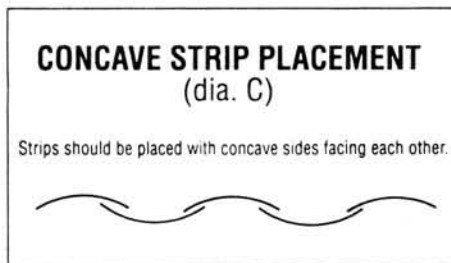


HEADER MOUNT ONLY (dia. B)

- Step 1. Mount PRE-DRILLED ANGLE (B) to the HEADER (or jamb) of the existing opening using fasteners (not supplied).

Repeat Steps 2, 4, and 5 as above.

***Prior to installation, unroll strips and place flat in a warm atmosphere for a minimum of 24 hours to allow strips to return to their original form.



REPLACEMENT STRIP INSTALLATION

Replacement strips should fit most existing hardware without alteration.

- Step 1. Remove nuts & fender washers over affected area only.
- Step 2. Remove strips to be replaced.
- Step 3. Place old strip over new strip, lining up sides and top. Mark any variation from existing hole spacing.
- Step 4. Marked area should be trimmed using a safety razor.
- Step 5. Install new strip making sure concave sides of strip are facing each other.
- Step 6. Replace fender washer and nuts accordingly.
- Step 7. Trim bottom of strips to match existing strip length. (1/4" clearance recommended).

MODIFICATION OF STANDARD UNITS

- Step 1. Measure width and determine size of opening, if smaller than standard unit.
- Step 2. Layout pre-drilled Mounting Angles, measure exact length required, cut excess out of the shortest length.
- Step 3. Follow installation instructions for either (A) WALL MOUNTING (in opening) mounting or (B) HEADER (see diagrams for type of mounting desired).
- Step 4. If you are not able to complete the recommended overlap of the last strip, you have the option of altering the overlap on the last few strips or trimming the excess to match the opening, using a safety razor.